

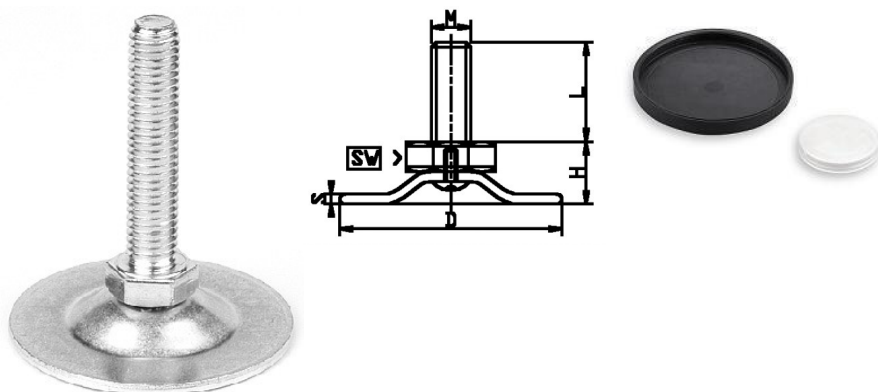
## 404871. STELVOET DRAAIBAAR STAAL VERZINKT DRAAGVERMOGEN CA. 650 KG

PE beschermkap leverbaar in zwart en naturel voor schotels:

- &Oslash;30mm
- &Oslash;45mm
- &Oslash;60mm

Draagvermogen ca. 650 kg.

Montagehulp: kruiskop van slagbout max. 3,4 Nm



Artikelcode	D	H	SW	S		Lengte	6-knt.
404871.003000000.000	30				zwart		Kapje
404871.003000000.004	30				naturel		Kapje
404871.006000000.000	60				zwart		Kapje
404871.006000000.004	60				naturel		Kapje
404871.030080161.000	30	11,0	13	2	M 8	16	
404871.030080201.000	30	11,0	13	2	M 8	20	
404871.030080301.000	30	11,0	13	2	M 8	30	
404871.030080401.000	30	11,0	13	2	M 8	40	
404871.030080501.000	30	11,0	13	2	M 8	50	
404871.030080601.000	30	11,0	13	2	M 8	60	
404871.030080701.000	30	11,0	13	2	M 8	70	
404871.030100161.000	30	12,5	17	2	M10	16	
404871.030100201.000	30	12,5	17	2	M10	20	
404871.030100301.000	30	12,5	17	2	M10	30	
404871.030100401.000	30	12,5	17	2	M10	40	
404871.030100501.000	30	12,5	17	2	M10	50	
404871.030100601.000	30	12,5	17	2	M10	60	
404871.030100701.000	30	12,5	17	2	M10	70	
404871.040080161.000	40	12,5	13	2	M 8	16	

Artikelcode	D	H	SW	S		Lengte	6-knt.
404871.040080201.000	40	12,5	13	2	M 8	20	
404871.040080301.000	40	12,5	13	2	M 8	30	
404871.040080401.000	40	12,5	13	2	M 8	40	
404871.040080501.000	40	12,5	13	2	M 8	50	
404871.040080601.000	40	12,5	13	2	M 8	60	
404871.040080701.000	40	12,5	13	2	M 8	70	
404871.040100161.000	40	13,5	17	2	M10	16	
404871.040100201.000	40	13,5	17	2	M10	20	
404871.040100301.000	40	13,5	17	2	M10	30	
404871.040100401.000	40	13,5	17	2	M10	40	
404871.040100501.000	40	13,5	17	2	M10	50	
404871.040100601.000	40	13,5	17	2	M10	60	
404871.040100701.000	40	13,5	17	2	M10	70	
404871.045080161.000	45	12,5	13	2	M 8	16	
404871.045080201.000	45	12,5	13	2	M 8	20	
404871.045080301.000	45	12,5	13	2	M 8	30	
404871.045080401.000	45	12,5	13	2	M 8	40	
404871.045080501.000	45	12,5	13	2	M 8	50	
404871.045080601.000	45	12,5	13	2	M 8	60	
404871.045080701.000	45	12,5	13	2	M 8	70	
404871.045080801.000	45	12,5	13	2	M 8	80	
404871.045080901.000	45	12,5	13	2	M 8	90	
404871.045081001.000	45	12,5	13	2	M 8	100	
404871.045081201.000	45	12,5	13	2	M 8	120	
404871.045100161.000	45	13,5	17	2	M10	16	
404871.045100201.000	45	13,5	17	2	M10	20	
404871.045100301.000	45	13,5	17	2	M10	30	
404871.045100401.000	45	13,5	17	2	M10	40	
404871.045100409.000	45	13,5	17	2	M10	40	SW 5
404871.045100501.000	45	13,5	17	2	M10	50	
404871.045100601.000	45	13,5	17	2	M10	60	
404871.045100701.000	45	13,5	17	2	M10	70	
404871.045100709.000	45	13,5	17	2	M10	70	SW 5
404871.045100801.000	45	13,5	17	2	M10	80	
404871.045100901.000	45	13,5	17	2	M10	90	
404871.045101001.000	45	13,5	17	2	M10	100	
404871.045101201.000	45	13,5	17	2	M10	120	
404871.045120301.000	45	15,0	19	2	M12	30	
404871.045120401.000	45	15,0	19	2	M12	40	
404871.045120501.000	45	15,0	19	2	M12	50	
404871.045120601.000	45	15,0	19	2	M12	60	
404871.045120609.000	45	15,0	19	2	M12	60	SW 5
404871.045120701.000	45	15,0	19	2	M12	70	

Artikelcode	D	H	SW	S		Lengte	6-knt.
404871.045120801.000	45	15,0	19	2	M12	80	
404871.045120901.000	45	15,0	19	2	M12	90	
404871.045121001.000	45	15,0	19	2	M12	100	
404871.046100401.000	46	15,0	17	3	M10	40	
404871.046100601.000	46	15,0	17	3	M10	60	
404871.050080161.000	50	12,5	13	3	M 8	166	
404871.050080201.000	50	12,5	13	3	M 8	20	
404871.050080301.000	50	12,5	13	3	M 8	30	
404871.050080401.000	50	12,5	13	3	M 8	40	
404871.050080501.000	50	12,5	13	3	M 8	50	
404871.050080601.000	50	12,5	13	3	M 8	60	
404871.050080701.000	50	12,5	13	3	M 8	70	
404871.050100161.000	50	14,0	17	3	M10	16	
404871.050100201.000	50	14,0	17	3	M10	20	
404871.050100301.000	50	14,0	17	3	M10	30	
404871.050100401.000	50	14,0	17	3	M10	40	
404871.050100501.000	50	14,0	17	3	M10	50	
404871.050100601.000	50	14,0	17	3	M10	60	
404871.050100701.000	50	14,0	17	3	M10	70	
404871.060080161.000	60	13,5	13	3	M 8	16	
404871.060080201.000	60	13,5	13	3	M 8	20	
404871.060080301.000	60	13,5	13	3	M 8	30	
404871.060080401.000	60	13,5	13	3	M 8	40	
404871.060080501.000	60	13,5	13	3	M 8	50	
404871.060080601.000	60	13,5	13	3	M 8	60	
404871.060080701.000	60	13,5	13	3	M 8	70	
404871.060100161.000	60	15,0	17	3	M10	16	
404871.060100201.000	60	15,0	17	3	M10	20	
404871.060100301.000	60	15,0	17	3	M10	30	
404871.060100401.000	60	15,0	17	3	M10	40	
404871.060100501.000	60	15,0	17	3	M10	50	
404871.060100601.000	60	15,0	17	3	M10	60	
404871.060100701.000	60	15,0	17	3	M10	70	