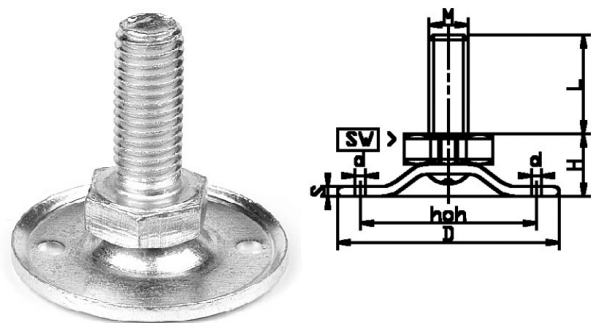


## 404884. STELVOET DRAAIBAAR STAAL VERZINKT + 2X Ø4 HOH 29 DRAAGVERMOGEN CA. 650 KG

Schotel voorzien van 2 boringen : &Oslash; 4 bij schotel &Oslash;0 en &Oslash; 5 bij schotels vanaf &Oslash;47

Draagvermogen ca. 650 kg.

Montagehulp: kruiskop van slagbout max. 3,4 Nm



Artikelcode	D	H	SW	d	hoh		Lengte
404884.030080161.000	30	11	13	4,0	24,3	M 8	16
404884.030080201.000	30	11	13	4,0	24,3	M 8	20
404884.030080301.000	30	11	13	4,0	24,3	M 8	30
404884.030080401.000	30	11	13	4,0	24,3	M 8	40
404884.030080501.000	30	11	13	4,0	24,3	M 8	50
404884.030080601.000	30	11	13	4,0	24,3	M 8	60
404884.030080701.000	30	11	13	4,0	24,3	M 8	70
404884.030100161.000	30	12	17	4,0	24,3	M10	16
404884.030100201.000	30	12	17	4,0	24,3	M10	20
404884.030100301.000	30	12	17	4,0	24,3	M10	30
404884.040080161.000	40	11	13	5,0	30,0	M 8	16
404884.040080201.000	40	11	13	5,0	30,0	M 8	20
404884.040080301.000	40	11	13	5,0	30,0	M 8	30
404884.040080309.000	40	11	13	4,0	30,0	M 8	30
404884.040080401.000	40	11	13	5,0	30,0	M 8	40
404884.040080501.000	40	11	13	5,0	30,0	M 8	50
404884.040080601.000	40	11	13	5,0	30,0	M 8	60
404884.040080701.000	40	11	13	5,0	30,0	M 8	70
404884.040080801.000	40	11	13	4,0	29,0	M 8	80
404884.040080901.000	40	11	13	4,0	29,0	M 8	90
404884.040100161.000	40	11	17	5,0	30,0	M10	16
404884.040100201.000	40	11	17	5,0	30,0	M10	20

Artikelcode	D	H	SW	d	hoh		Lengte
404884.040100301.000	40	11	17	5,0	30,0	M10	30
404884.040100401.000	40	11	17	5,0	30,0	M10	40
404884.040100501.000	40	11	17	5,0	30,0	M10	50
404884.040100601.000	40	11	17	5,0	30,0	M10	60
404884.040100604.000	40	11	17	4,0	29,0	M10	60
404884.040100701.000	40	11	17	5,0	30,0	M10	70
404884.040100801.000	40	11	17	4,0	29,0	M10	80
404884.040100901.000	40	11	17	4,0	29,0	M10	90
404884.047100351.000	47	12	17	5,1	33	M10	35
404884.047100501.000	47	12	17	5,1	33	M10	50
404884.047100701.000	47	12	17	5,1	33	M10	70
404884.050080161.000	50	12	13	5,5	35,0	M 8	16
404884.050080201.000	50	12	13	5,5	35,0	M 8	20
404884.050080301.000	50	12	13	5,5	35,0	M 8	30
404884.050080401.000	50	12	13	5,5	35,0	M 8	40
404884.050080501.000	50	12	13	5,5	35,0	M 8	50
404884.050080601.000	50	12	13	5,5	35,0	M 8	60
404884.050080701.000	50	12	13	5,5	35,0	M 8	70
404884.050080801.000	50	12	13	5,0	35,0	M 8	80
404884.050080901.000	50	12	13	5,0	35,0	M 8	90
404884.050100161.000	50	12	17	5,5	35,0	M10	16
404884.050100201.000	50	12	17	5,5	35,0	M10	20
404884.050100301.000	50	12	17	5,5	35,0	M10	30
404884.050100401.000	50	12	17	5,5	35,0	M10	40
404884.050100501.000	50	12	17	5,5	35,0	M10	50
404884.050100601.000	50	12	17	5,5	35,0	M10	60
404884.050100701.000	50	12	17	5,5	35,0	M10	70
404884.050100801.000	50	12	17	5,0	36,0	M10	80
404884.050100901.000	50	12	17	5,0	36,0	M10	90
404884.050101201.000	50	12	17	5,0	36,0	M10	120
404884.050120801.000	50	12	17	5,0	36,0	M12	80
404884.060100351.000	60	12		5,1	46	M10	35
404884.060100501.000	60	12		5,1	46	M10	50
404884.060100701.000	60	12		5,1	46	M10	70
404884.080100351.000	80	12		5,1	66	M10	35
404884.080100501.000	80	12		5,1	66	M10	50
404884.080100701.000	80	12		5,1	66	M10	70