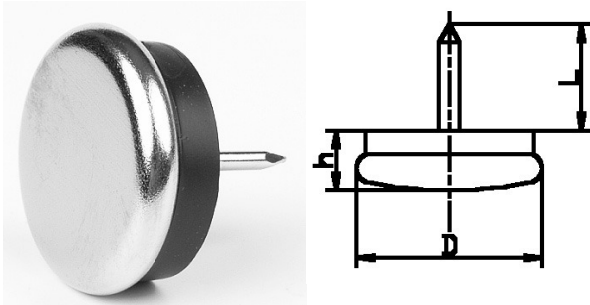


405333. GLIJDER PE MET NAGEL EN VERCHROOMD/VERNIKKELD GLIJVLAK

Type A = verchroomd glijvlak

Type B = vernikkeld glijvlak en rubberring



| Artikelcode | Ø | h | Verchroomd | Vernikkeld | | |
|----------------------|------|----|------------|------------|-------|---|
| 405333.001510000.000 | 15,0 | 10 | | * | zwart | A |
| 405333.001810000.000 | 18,0 | 10 | | * | zwart | B |
| 405333.002010000.000 | 20,0 | 10 | | * | zwart | B |
| 405333.002011000.000 | 20,0 | 11 | | * | zwart | A |
| 405333.002310000.000 | 23,0 | 10 | | * | zwart | B |
| 405333.002512000.000 | 25,0 | 12 | | * | zwart | A |
| 405333.002610000.000 | 26,0 | 10 | | * | zwart | B |
| 405333.002810000.000 | 28,0 | 10 | | * | zwart | B |
| 405333.003010000.000 | 30,0 | 10 | | * | zwart | B |
| 405333.003510000.000 | 35,0 | 10 | | * | zwart | B |
| 405333.004010000.000 | 40,0 | 10 | | * | zwart | B |
| 405333.004013000.000 | 40,0 | 13 | | * | zwart | A |