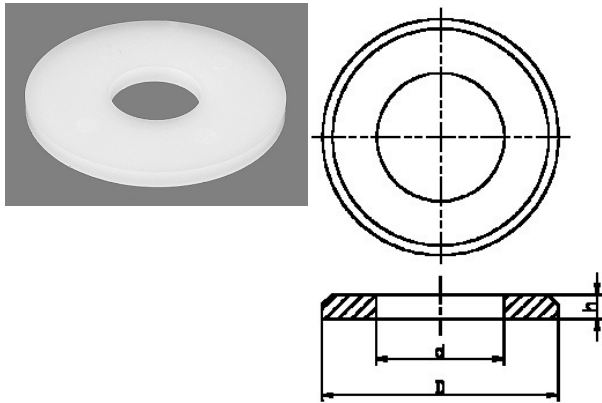


412002. SLUITRING PA DIN 9021

Vanaf M4 ook leverbaar in TPE of PA6 glasvezelversterkt



| Artikelcode | M | D | d | h | | |
|----------------------|-------|------|------|-----|---------|--------|
| 412002.002500000.004 | M 2,5 | 8,0 | 2,7 | 0,8 | naturel | PA |
| 412002.002500660.004 | M 2,5 | 8,0 | 2,7 | 0,8 | naturel | PA 6.6 |
| 412002.003000000.000 | M 3 | 9,0 | 3,2 | 0,8 | zwart | PA |
| 412002.003000000.004 | M 3 | 9,0 | 3,2 | 0,8 | naturel | PA |
| 412002.003000660.004 | M 3 | 9,0 | 3,2 | 0,8 | naturel | PA 6.6 |
| 412002.003500000.004 | M 3,5 | 11,0 | 3,7 | 0,8 | naturel | PA |
| 412002.004000000.004 | M 4 | 12,0 | 4,3 | 1,0 | naturel | PA |
| 412002.004000660.004 | M 4 | 12,0 | 4,3 | 1,0 | naturel | PA 6.6 |
| 412002.005000000.000 | M 5 | 15,0 | 5,3 | 1,2 | naturel | PA |
| 412002.005000000.004 | M 5 | 15,0 | 5,3 | 1,2 | naturel | PA |
| 412002.005000660.004 | M 5 | 15,0 | 5,3 | 1,2 | naturel | PA 6.6 |
| 412002.006000000.004 | M 6 | 18,0 | 6,4 | 1,5 | naturel | PA |
| 412002.006000660.004 | M 6 | 18,0 | 6,4 | 1,5 | naturel | PA 6.6 |
| 412002.007000000.004 | M 7 | 22,0 | 7,4 | 2,0 | naturel | PA |
| 412002.008000000.000 | M 8 | 24,0 | 8,4 | 2,0 | zwart | PA |
| 412002.008000000.004 | M 8 | 24,0 | 8,4 | 2,0 | naturel | PA |
| 412002.008000660.004 | M 8 | 24,0 | 8,4 | 2,0 | naturel | PA 6.6 |
| 412002.010000000.000 | M10 | 30,0 | 10,5 | 2,5 | zwart | PA |
| 412002.010000000.004 | M10 | 30,0 | 10,5 | 2,5 | naturel | PA |
| 412002.010000660.004 | M10 | 30,0 | 10,5 | 2,5 | naturel | PA 6.6 |
| 412002.012000000.000 | M12 | 37,0 | 13,0 | 3,0 | zwart | PA |
| 412002.012000000.004 | M12 | 37,0 | 13,0 | 3,0 | naturel | PA |
| 412002.012000660.004 | M12 | 37,0 | 13,0 | 3,0 | naturel | PA 6.6 |
| 412002.014000000.004 | M14 | 44,0 | 15,0 | 3,0 | naturel | PA |
| 412002.016000000.000 | M16 | 50,0 | 17,0 | 3,0 | zwart | PA |

| Artikelcode | M | D | d | h | | |
|----------------------|-----|------|------|-----|---------|--------|
| 412002.016000000.004 | M16 | 50,0 | 17,0 | 3,0 | naturel | PA |
| 412002.016000660.004 | M16 | 50,0 | 17,0 | 3,0 | naturel | PA 6.6 |
| 412002.018000000.004 | M18 | 56,0 | 20,0 | 4,0 | naturel | PA |
| 412002.018000660.004 | M18 | 56,0 | 20,0 | 4,0 | naturel | PA 6.6 |
| 412002.020000000.004 | M20 | 60,0 | 22,0 | 4,0 | naturel | PA |
| 412002.020000660.004 | M20 | 60,0 | 22,0 | 4,0 | naturel | PA 6.6 |