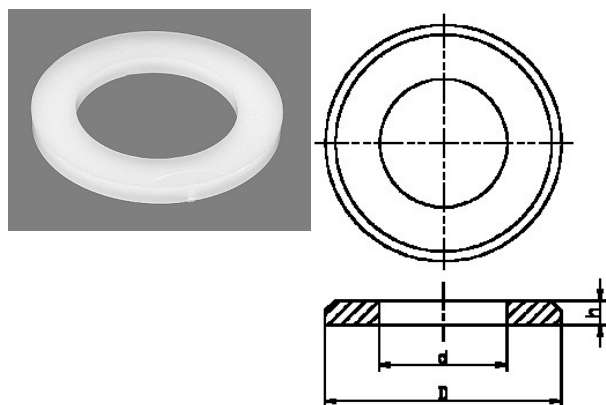


412001. SLUITRING PA DIN 433

Vanaf M4 ook leverbaar in TPE of PA6 glasvezelversterkt



| Artikelcode | M | D | d | h | |
|----------------------|-------|------|------|-----|---------|
| 412001.002000000.004 | M 2 | 4,5 | 2,2 | 0,5 | naturel |
| 412001.002500000.004 | M 2,5 | 5,0 | 2,7 | 0,5 | naturel |
| 412001.003000000.004 | M 3 | 6,0 | 3,2 | 0,5 | naturel |
| 412001.003500000.004 | M 3,5 | 7,0 | 3,7 | 0,5 | naturel |
| 412001.004000000.004 | M 4 | 8,0 | 4,3 | 0,5 | naturel |
| 412001.005000000.000 | M 5 | 9,5 | 5,3 | 1,0 | zwart |
| 412001.005000000.004 | M 5 | 9,5 | 5,3 | 1,0 | naturel |
| 412001.006000000.000 | M 6 | 11,0 | 6,4 | 1,6 | zwart |
| 412001.006000000.004 | M 6 | 11,0 | 6,4 | 1,6 | naturel |
| 412001.008000000.000 | M 8 | 15,0 | 8,4 | 1,6 | zwart |
| 412001.008000000.004 | M 8 | 15,0 | 8,4 | 1,6 | naturel |
| 412001.010000000.004 | M10 | 18,0 | 10,5 | 1,6 | naturel |
| 412001.012000000.004 | M12 | 20,0 | 13,0 | 2,0 | naturel |
| 412001.014000000.004 | M14 | 24,0 | 15,0 | 2,5 | naturel |
| 412001.016000000.000 | M16 | 28,0 | 17,0 | 2,5 | zwart |
| 412001.016000000.004 | M16 | 28,0 | 17,0 | 2,5 | naturel |
| 412001.018000000.004 | M18 | 30,0 | 19,0 | 2,5 | naturel |
| 412001.020000000.000 | M20 | 34,0 | 21,0 | 3,0 | zwrt |
| 412001.020000000.004 | M20 | 34,0 | 21,0 | 3,0 | naturel |