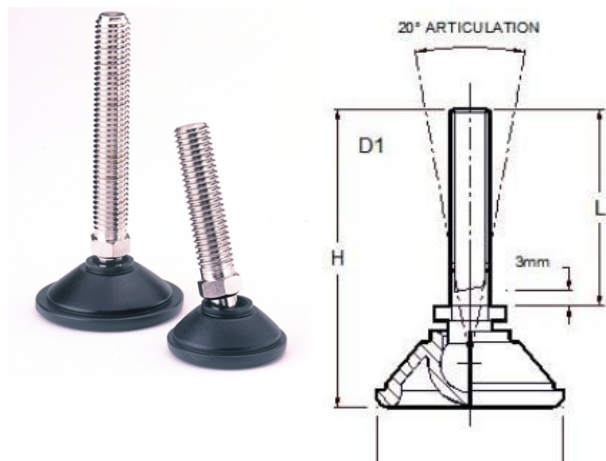


404575. MACHINESTELVOET PA GLV 20°; BASCULEREND BASCULEREND DRAADEIND STAAL OF RVS 303

Afwijkende afmetingen op aanvraag leverbaar



Artikelcode	D2	D1	L	H	Max. KG	
404575.040060201.000	40	M6	20	41	300	ST.
404575.040060206.000	40	M6	20	41	300	RVS
404575.040060401.000	40	M6	40	61	300	ST.
404575.040060406.000	40	M6	40	61	300	RVS
404575.040080251.000	40	M8	25	46	450	ST.
404575.040080256.000	40	M8	25	46	450	RVS
404575.040080401.000	40	M8	40	61	450	ST.
404575.040080406.000	40	M8	40	61	450	RVS
404575.040080601.000	40	M8	60	81	450	ST.
404575.040080606.000	40	M8	60	81	450	RVS
404575.040100381.000	40	M10	38	59	500	ST.
404575.040100386.000	40	M10	38	59	500	RVS
404575.040100601.000	40	M10	60	81	500	ST.
404575.040100606.000	40	M10	60	81	500	RVS
404575.040100751.000	40	M10	75	96	500	ST.
404575.040100756.000	40	M10	75	96	500	RVS
404575.040120501.000	40	M12	50	73	600	ST.
404575.040120506.000	40	M12	50	73	600	RVS
404575.040120751.000	40	M12	75	98	600	ST.
404575.040120756.000	40	M12	75	98	600	RVS
404575.040121001.000	40	M12	100	123	600	ST.
404575.040121006.000	40	M12	100	123	600	RVS
404575.040121251.000	40	M12	125	148	600	ST.
404575.040121256.000	40	M12	125	148	600	RVS

Artikelcode	D2	D1	L	H	Max. KG	
404575.050060201.000	50	M6	20	43	300	ST.
404575.050060206.000	50	M6	20	43	300	RVS
404575.050060401.000	50	M6	40	63	300	ST.
404575.050060406.000	50	M6	40	63	300	RVS
404575.050080251.000	50	M8	25	48	450	ST.
404575.050080256.000	50	M8	25	48	450	RVS
404575.050080401.000	50	M8	40	63	450	ST.
404575.050080406.000	50	M8	40	63	450	RVS
404575.050080601.000	50	M8	60	83	450	ST.
404575.050080606.000	50	M8	60	83	450	RVS
404575.050100381.000	50	M10	38	61	500	ST.
404575.050100386.000	50	M10	38	61	500	RVS
404575.050100601.000	50	M10	60	83	500	ST.
404575.050100606.000	50	M10	60	83	500	RVS
404575.050100751.000	50	M10	75	98	500	ST.
404575.050100756.000	50	M10	75	98	500	RVS
404575.050101001.000	50	M10	100	123	500	ST.
404575.050120501.000	50	M12	50	75	600	ST.
404575.050120506.000	50	M12	50	75	600	RVS
404575.050120751.000	50	M12	75	100	600	ST.
404575.050120756.000	50	M12	75	100	600	RVS
404575.050121001.000	50	M12	100	125	600	ST.
404575.050121006.000	50	M12	100	125	600	RVS
404575.050121251.000	50	M12	125	150	600	ST.
404575.050121256.000	50	M12	125	150	600	RVS