

404580. MACHINESTELVOET 20°DEG; BASCULEREND DRAADEIND EN SCHOTEL

STAAL, RVS 303 OF RVS 316L

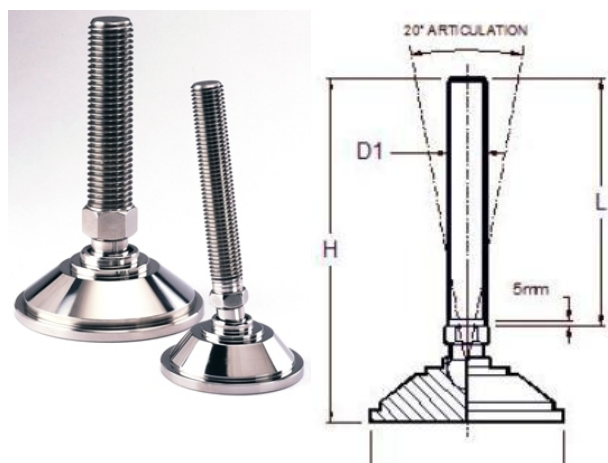
Opties:

- Non-slip pad - nitrile rubber

- Vibetech pad - vibratiedepend

- Hygienic seal - fexibele afdekking over kogelgewricht

Afwijkende afmetingen op aanvraag leverbaar.



| Artikelcode | D2 | D1 | L | H | Max. KG | |
|----------------------|----|-----|-----|-----|---------|-----|
| 404580.038080306.000 | 38 | M8 | 30 | 55 | 450 | RVS |
| 404580.038080606.000 | 38 | M8 | 60 | 85 | 450 | RVS |
| 404580.038080607.000 | 38 | M8 | 60 | 85 | 450 | RVS |
| 404580.038100406.000 | 38 | M10 | 40 | 65 | 600 | RVS |
| 404580.038100756.000 | 38 | M10 | 75 | 100 | 600 | RVS |
| 404580.038100757.000 | 38 | M10 | 75 | 100 | 450 | RVS |
| 404580.038120756.000 | 38 | M12 | 75 | 100 | 1000 | RVS |
| 404580.038121256.000 | 38 | M12 | 125 | 150 | 1000 | RVS |
| 404580.055120751.000 | 55 | M12 | 75 | 105 | 450 | ST. |
| 404580.055120756.000 | 55 | M12 | 75 | 105 | 1500 | RVS |
| 404580.055121251.000 | 55 | M12 | 125 | 155 | 450 | ST. |
| 404580.055121256.000 | 55 | M12 | 125 | 155 | 1500 | RVS |
| 404580.055121501.000 | 55 | M12 | 150 | 180 | 600 | ST. |
| 404580.055121506.000 | 55 | M12 | 150 | 180 | 1500 | RVS |

| Artikelcode | D2 | D1 | L | H | Max. KG | |
|----------------------|-----|-----|-----|-----|---------|-----|
| 404580.055121507.000 | 55 | M12 | 150 | 180 | 1500 | RVS |
| 404580.070160751.000 | 70 | M16 | 75 | 114 | 1500 | ST. |
| 404580.070160756.000 | 70 | M16 | 75 | 114 | 2000 | RVS |
| 404580.070161251.000 | 70 | M16 | 125 | 164 | 1500 | ST. |
| 404580.070161256.000 | 70 | M16 | 125 | 164 | 2000 | RVS |
| 404580.070161501.000 | 70 | M16 | 150 | 189 | 1500 | ST. |
| 404580.070161506.000 | 70 | M16 | 150 | 189 | 2000 | RVS |
| 404580.070161507.000 | 70 | M16 | 150 | 189 | 2000 | RVS |
| 404580.070162001.000 | 70 | M16 | 200 | 239 | 1500 | ST. |
| 404580.070162006.000 | 70 | M16 | 200 | 239 | 2000 | RVS |
| 404580.100162001.000 | 100 | M16 | 200 | 245 | 2000 | ST. |
| 404580.100201251.000 | 100 | M20 | 125 | 177 | 2000 | ST. |
| 404580.100201256.000 | 100 | M20 | 125 | 177 | 3000 | RVS |
| 404580.100201501.000 | 100 | M20 | 150 | 202 | 2000 | ST. |
| 404580.100201506.000 | 100 | M20 | 150 | 202 | 3000 | RVS |
| 404580.100201507.000 | 100 | M20 | 150 | 202 | 3000 | RVS |
| 404580.100202001.000 | 100 | M20 | 200 | 250 | 2000 | ST. |
| 404580.100202006.000 | 100 | M20 | 200 | 252 | 3000 | RVS |
| 404580.100241251.000 | 100 | M24 | 125 | 181 | 3000 | ST. |
| 404580.100241256.000 | 100 | M24 | 125 | 181 | 4000 | RVS |
| 404580.100241501.000 | 100 | M24 | 150 | 206 | 3000 | ST. |
| 404580.100241506.000 | 100 | M24 | 150 | 206 | 4000 | RVS |
| 404580.100242001.000 | 100 | M24 | 200 | 256 | 3000 | ST. |
| 404580.100242006.000 | 100 | M24 | 200 | 256 | 4000 | RVS |
| 404580.100242007.000 | 100 | M24 | 200 | 256 | 4000 | RVS |
| 404580.100242501.000 | 100 | M24 | 250 | 306 | 3000 | ST. |
| 404580.100242506.000 | 100 | M24 | 250 | 306 | 4000 | RVS |